

65°

2000 mm

INTEGRATED RET

SITE SHARING OPTIONAL

P4-BB4L20-NB

P4-BB4L20-NBN, P4-BB4L20-SB, P4-BB4L20-SBN

Features

- 4 ports / 2 cross pol systems in low band (698-960 MHz)
- 8 ports / 4 cross pol systems in high band (1710-2690 MHz)
- Integrated and field replaceable SRET
- Optional with Site Sharing feature (Model name suffix -SB, -SBN)
- Optional with Direct Pipe No Tilt mounting hardware (Model name suffix -NBN, -SBN)
- Compliant with AISG v2.0 and 3GPP

PRODUCT OVERVIEW	Frequency Range (MHz)	(2x) 698-960		(4x) 1710-2690			
	Array	■ R1	■ R2	■ Y1	■ Y2	■ Y3	■ Y4
	Connector	1-2	3-4	5-6	7-8	9-10	11-12
		12 PORTS					
	Polarization	XPOL					
	Azimuth Beamwidth (avg)	65°		65°			
	Electrical Downtilt	2-12°		2-12°			
	Dimensions	2000 x 499 x 215 mm (78.7 x 19.6 x 8.5 in)					

ORDERING OPTIONS Select from the following ordering options

ANTENNA MODEL NUMBER	CONFIGURATION	MOUNTING HARDWARE	MOUNTING PIPE DIAMETER	SHIPPING WEIGHT	MOUNTING HARDWARE WEIGHT
P4-BB4L20-NB	ACU-I20-B6 Internal RET Included	APM40-B1 Beam Tilt Kit Included	50-110 mm (2.0-4.3 in)	43.9 kg (96.8 lbs)	4.5 kg (9.9 lbs)
P4-BB4L20-NBN	ACU-I20-B6 Internal RET Included	APM40-B1N Direct Pipe No Tilt Mounting Kit Included	50-110 mm (2.0-4.3 in)	42.8 kg (94.3 lbs)	3.4 kg (7.5 lbs)
P4-BB4L20-SB	ACU-X20-B6 Internal RET Included	APM40-B1 Beam Tilt Kit Included	50-110 mm (2.0-4.3 in)	43.9 kg (96.8 lbs)	4.5 kg (9.9 lbs)
P4-BB4L20-SBN	ACU-X20-B6 Internal RET Included	APM40-B1N Direct Pipe No Tilt Mounting Kit Included	50-110 mm (2.0-4.3 in)	42.8 kg (94.3 lbs)	3.4 kg (7.5 lbs)



Quoted performance parameters are provided to offer typical, peak or range values only and may vary as a result of normal testing, manufacturing and operational conditions. Extreme operational conditions and/or stress on structural supports is beyond our control. Such conditions may result in damage to this product. Improvements to products may be made without notice.

65°

2000 mm

INTEGRATED RET

SITE SHARING OPTIONAL

P4-BB4L20-NB

P4-BB4L20-NBN, P4-BB4L20-SB, P4-BB4L20-SBN

ELECTRICAL SPECIFICATIONS

■ R1 ■ R2

Frequency Range		MHz	698-960		
		MHz	698-806	790-896	870-960
Polarization		---	±45°		
Gain	Over all Tilts	dBi	15.2 ± 0.4	15.4 ± 0.3	15.5 ± 0.4
	Max Gain	dBi	15.6	15.7	15.9
Azimuth Beamwidth (3 dB)		degrees	62.7° ± 4.4°	64.3° ± 4.5°	64.7° ± 4.6°
Elevation Beamwidth (3 dB)		degrees	12.5° ± 0.8°	11.3° ± 0.7°	10.4° ± 0.7°
Electrical Downtilt		degrees	2-12°		
Impedance		Ohms	50Ω		
VSWR (Return Loss)		---	1.5:1 (-14 dB)		
Passive Intermodulation 3rd Order for 2x20 W Carriers		dBc	-150		
Front-to-Back Ratio, Total Power, ± 30°		dB	19.2	19.9	22.1
First Upper Side Lobe Suppression		dB	19.9	19.9	19.2
Cross Polar Discrimination (XPD) at Mechanical Boresight (0°)		dB	24.4	22.5	22
Maximum Effective Power Per Port		Watts	350 W		
Cross Polar Isolation		dB	25		
Interband Isolation		dB	26		

Specifications follow BASTA guidelines.

ELECTRICAL SPECIFICATIONS

■ Y1 ■ Y2 ■ Y3 ■ Y4

Frequency Range		MHz	1710-2690			
		MHz	1710-1880	1850-1990	1920-2170	2490-2690
Polarization		---	±45°			
Gain	Over all Tilts	dBi	17.3 ± 0.6	17.4 ± 0.7	17.6 ± 0.8	17.3 ± 0.7
	Max Gain	dBi	17.9	18.1	18.4	18
Azimuth Beamwidth (3 dB)		degrees	69.6° ± 7.4°	67.1° ± 6.3°	68° ± 6.3°	58.3° ± 6.8°
Elevation Beamwidth (3 dB)		degrees	6.5° ± 0.4°	6.1° ± 0.4°	5.9° ± 0.5°	4.9° ± 0.3°
Electrical Downtilt		degrees	2-12°			
Impedance		Ohms	50Ω			
VSWR (Return Loss)		---	1.5:1 (-14 dB)			
Passive Intermodulation 3rd Order for 2x20 W Carriers		dBc	-150			
Front-to-Back Ratio, Total Power, ± 30°		dB	23.4	22.8	23.1	22.3
First Upper Side Lobe Suppression		dB	16	17.3	18.3	14.6
Cross Polar Discrimination (XPD) at Mechanical Boresight (0°)		dB	23	22.7	19.5	17.9
Maximum Effective Power Per Port		Watts	250 W			
Cross Polar Isolation		dB	25			
Interband Isolation		dB	26			

Specifications follow BASTA guidelines.

Quoted performance parameters are provided to offer typical, peak or range values only and may vary as a result of normal testing, manufacturing and operational conditions. Extreme operational conditions and/or stress on structural supports is beyond our control. Such conditions may result in damage to this product. Improvements to products may be made without notice.

P4-BB4L20-NB

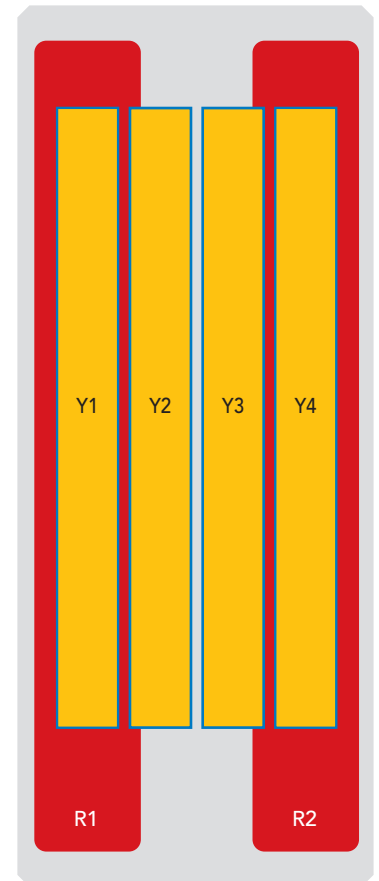
P4-BB4L20-NBN, P4-BB4L20-SB, P4-BB4L20-SBN

BOTTOM VIEW - LABELING



ARRAY LAYOUT

ARRAY	FREQUENCY	CONNECTOR	CONNECTOR TYPE	RET	AISG RET UID
■ R1	698-960 MHz	1-2	(2x) 4.3-10 Female	R1	RFxxxxxxxxxx-R1
■ R2	698-960 MHz	3-4	(2x) 4.3-10 Female	R2	RFxxxxxxxxxx-R2
■ Y1	1710-2690 MHz	5-6	(2x) 4.3-10 Female	Y1	RFxxxxxxxxxx-Y1
■ Y2	1710-2690 MHz	7-8	(2x) 4.3-10 Female	Y2	RFxxxxxxxxxx-Y2
■ Y3	1710-2690 MHz	9-10	(2x) 4.3-10 Female	Y3	RFxxxxxxxxxx-Y3
■ Y4	1710-2690 MHz	11-12	(2x) 4.3-10 Female	Y4	RFxxxxxxxxxx-Y4



The illustration is not shown to scale.

Quoted performance parameters are provided to offer typical, peak or range values only and may vary as a result of normal testing, manufacturing and operational conditions. Extreme operational conditions and/or stress on structural supports is beyond our control. Such conditions may result in damage to this product. Improvements to products may be made without notice.

65°

2000 mm

INTEGRATED RET

SITE SHARING OPTIONAL

P4-BB4L20-NB

P4-BB4L20-NBN, P4-BB4L20-SB, P4-BB4L20-SBN

MECHANICAL SPECIFICATIONS

Length	mm (in)	2000 (78.7)
Width	mm (in)	499 (19.6)
Depth	mm (in)	215 (8.5)
Net Weight - Antenna Only	kg (lbs)	34.3 (75.6)
Wind Load Rated at 150 km/h (93 mph)	Front	N (lbf) 617 (139)
	Side	N (lbf) 576 (129)
	Rear	N (lbf) 797 (179)
	Maximum, Resultant	N (lbf) 1316 (296)
Survival Wind Speed / Rated Wind Speed	km/h (mph)	200 (150)
Connector Type	--	(12x) 4.3-10 Female, (2x) AISG Connectors (1 Male, 1 Female) at Bottom Site Sharing: (4x) AISG Connectors (2 Male, 2 Female) at Bottom
Radome Color	---	Light Grey RAL7035
Radome Material	---	Fiberglass
Lightning Protection	---	Direct Ground
Shipping	Packing Size (Length x Width x Depth)	mm (in) 2285 x 570 x 295 (89.9 x 22.4 x 11.6)

ENVIRONMENTAL SPECIFICATIONS

Environmental Standard	---	ETS 300 019
Operating Temperature	degrees	-40° to +60° C (-40° to +140° F)
Product Environmental Compliance	---	Product is RoHS Compliant

65°

2000 mm

INTEGRATED RET

SITE SHARING OPTIONAL

P4-BB4L20-NB

P4-BB4L20-NBN, P4-BB4L20-SB, P4-BB4L20-SBN

ACCESSORIES

Accessories may be ordered separately unless otherwise indicated.

ITEM	MODEL NUMBER	WEIGHT
Beam Tilt Mounting Bracket Kit for Pole Diameter 50-110 mm (2.0-4.3 in) <i>Refer to ordering options</i>	APM40-B1	4.5 kg (9.9 lbs)
Direct Pipe No Tilt Bracket Kit for Pole Diameter 50-110 mm (2.0-4.3 in) <i>Refer to ordering options</i>	APM40-B1N	3.4 kg (7.5 lbs)

INSTALLATION

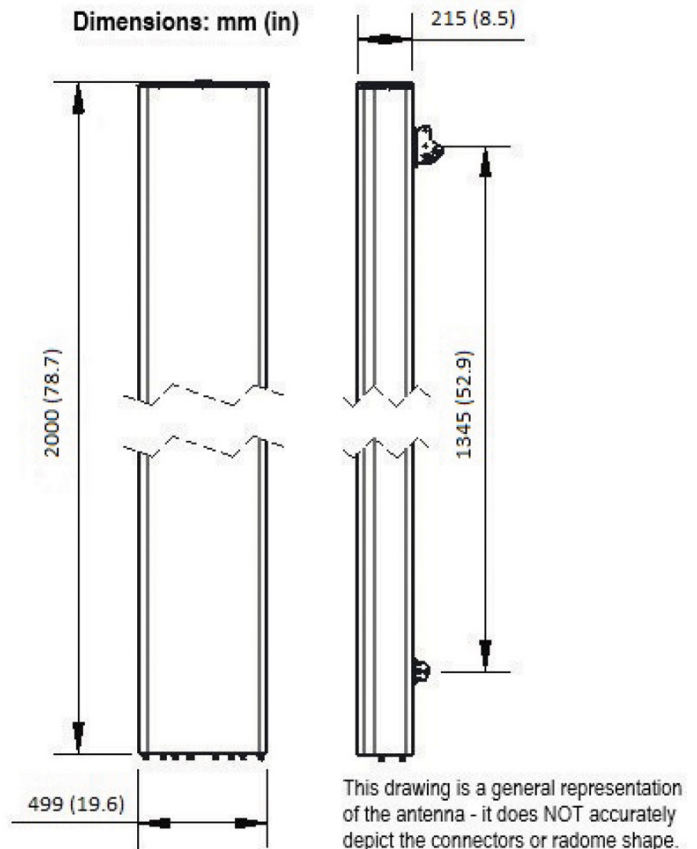
Please read all installation notes before installing product.



Always attach the antenna using all mounting points.

Do not install antenna with the connectors facing upwards.

EXTERNAL DOCUMENT LINKS



NOTES

Specifications follow BASTA guidelines.

For additional mounting information, please check **External Document Links**.

For Radiating Patterns: [Request pattern files](#)